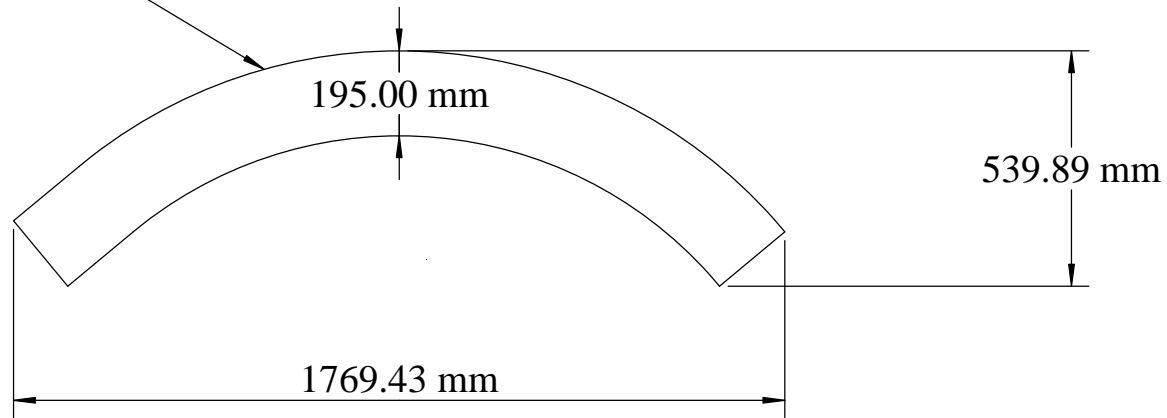


10 Deg chamfer to edge.



REF DECORATIVE ARCH

BOARD INFO  
1790x18x550mm

CNC ROUTER

PASSES

1

**SAM MOULDINGS**

Newpark Industrial Estate Greystone Road Antrim BT41 2RU  
Tel : (028) 9442 8288 Fax : (028) 9442 8244

Website: [www.sammouldings.co.uk](http://www.sammouldings.co.uk) Email: [info@sammouldings.co.uk](mailto:info@sammouldings.co.uk)

PROFILE

**SAM 3366**

DRAWN BY

S McMaster

REV: 1

DATE

16/01/14

AUTH:

SCALE

1:1

TOLERANCE  
+/- 0.5MM

PRINTED COPY UNCONTROLLED