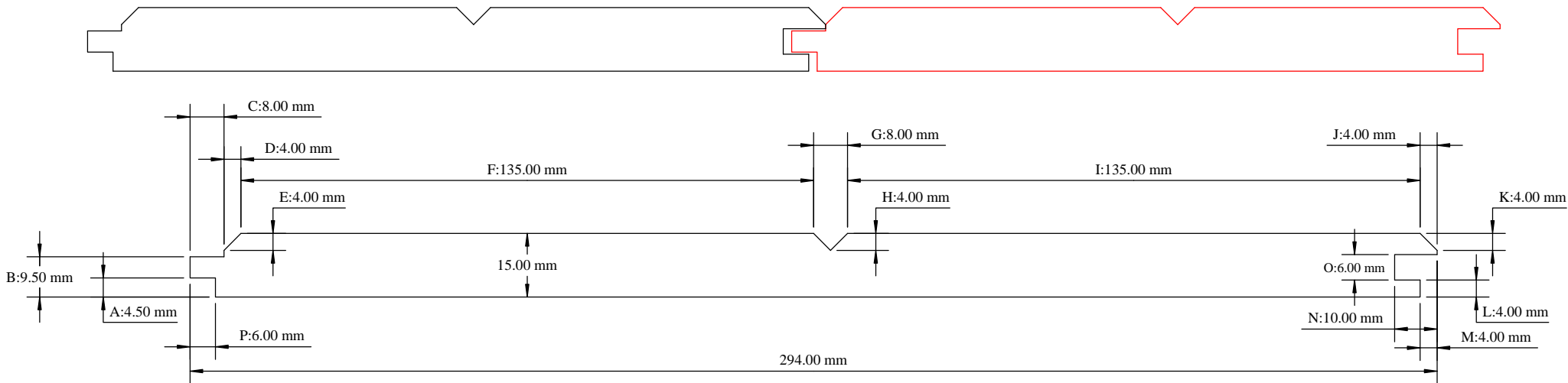


PRINTED COPY UNCONTROLLED



Double TG & V Cladding  
 Manufactured from Tricoya boards

AREA MACHINED AWAY 637.37 SQMM.

|           |            |
|-----------|------------|
| MOULDER   | 1,4        |
| PASSES    | 1          |
| DRAWN BY  | S McMaster |
| REV:      | 3          |
| DATE      | 27/08/13   |
| AUTH:     |            |
| SCALE     | 1:1        |
| TOLERANCE | +/- 0.5MM  |

**SAM MOULDINGS**  
 Newpark Industrial Estate Greystone Road Antrim BT41 2RU  
 Tel : (028) 9442 8288 Fax : (028) 9442 8244  
 Website: [www.sammouldings.co.uk](http://www.sammouldings.co.uk) Email: [info@sammouldings.co.uk](mailto:info@sammouldings.co.uk)

PROFILE

**SAM 3307**

|          |            |
|----------|------------|
| DRAWN BY | S McMaster |
| DATE     | 27/08/13   |
| SCALE    | 1:1        |